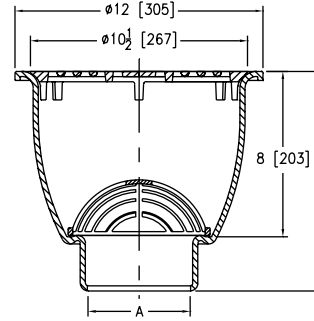


Z1950 12" DIAMETER A.R.E. SANI-FLORECEPTOR WITH 8" SUMP DEPTH

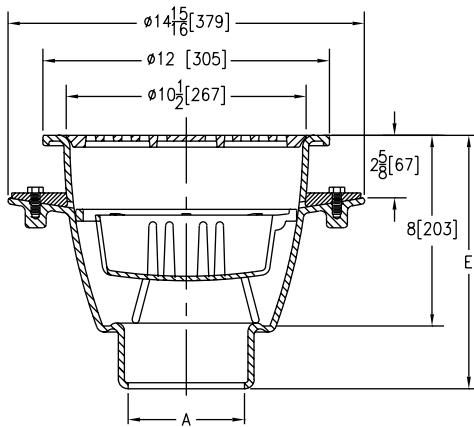


ENGINEERING SPECIFICATION

Zurn Z1950 Sani-Floreceptor features 12" diameter x 8" deep cast iron body, and round slotted, light-duty grate with white acid resisting porcelain enamel interior and top - complete with white ABS anti-splash interior bottom dome strainer.



Dimensions in inches [mm]				
A Pipe Size/ Outlet Type	E Body Height Dimensions		Approximate Weight lb [kg]	Grate Open Area sq in [cm ²]
	Z	ZN		
Inside Caulk (IC)				
3IC, 4IC	10-5/8 [270]	11 [279]	34 [15]	22 [142]
No-Hub (NH)				
2NH, 3NH, 4NH	10-5/8 [270]	11 [279]	34 [15]	22 [142]
Neo-Loc (NL)				
2NL, 3NL, 4NL	10 [254]	10-3/8 [264]	34 [15]	22 [142]



-KC-23 Options Shown

Z1950-KC-23 Sani-Floreceptor, 12" diameter x 8" deep cast iron body and round slotted light-duty grate with white acid resisting porcelain enamel interior and top with seepage flange with seepage holes and clamp collar (-KC) and aluminum bucket (-23).

PREFIXES	DESCRIPTION	A PIPE SIZE	Z (A.R.E.)	ZN (N.B.)
Z1950*	Cast Iron Body with White A.R.E. Interior and Top	2", 3", 4"	1,674.00	-
ZN1950	Cast Iron Body with White A.R.E. Interior and Top, 12-1/2" Round N.B. Frame, and Full Grate with 1/2" Square Openings	2", 3, 4"	-	2,668.00

OUTLETS (SPECIFY PIPE SIZE IN INCHES AND TYPE OF OUTLET)				
OUTLET TYPE		PIPE SIZE/ OUTLET TYPE		ADD
IC	Inside Caulk	3IC, 4IC	N/C	N/C
NH	No-Hub	2NH, 3NH, 4NH	N/C	N/C
NL	Neo-Loc	2NL, 3NL, 4NL	N/C	N/C

SUFFIXES				
			Z (A.R.E.)	ZN (N.B.)
-K	Anchor Flange		380.00	380.00
-KC	Anchor Flange with Seepage Holes and Clamp Collar		561.00	561.00
-P	1/2" Trap Primer Connection (See Z1023, NH Only)		194.00	194.00
-TC	Neo-Loc Test Cap Gasket (2", 3", 4" NL Bottom Outlet Only)		24.00	24.00
-2	1/2 Grate		N/C	N/C
-3	3/4 Grate		N/C	N/C
-4	Full Grate with Center Opening		178.00	178.00
-6	Grate with 6" Dia. x 6" High Funnel		488.00	626.00
-8	Grate with 8-7/8" x 3-5/8" x 3-3/4" High Oval Funnel		531.00	876.00
-11	Vandal-Proof Secured Grate (ZN only)		N/A	79.00
-15	Solid Loose Set Cover		116.00	228.00
-23	Aluminum Bucket		318.00	318.00
-25	White A.R.C. Bucket		472.00	472.00
-31	Stainless Steel Mesh Liner for Bucket		472.00	472.00
-32	Aluminum Dome Strainer		N/C	N/C
-33	White A.R.C. Anti-Splash Bottom Dome Strainer		318.00	318.00

DEDUCT				
			Z (A.R.E.)	ZN (N.B.)
-LD	Less Bottom Dome Strainer		- 61.00	- 61.00
-1	Less Grate		- 267.00	- 510.00

BEST SELLERS		LIST PRICE
Z1950-2NH-2		1,674.00
Z1950-3NH		1,674.00
Z1950-3NH-2		1,674.00
Z1950-3NH-2-K		2,054.00
Z1950-3NH-2-KC		2,235.00
Z1950-3NH-K		2,054.00
Z1950-3NH-KC		2,235.00
Z1950-3NL-2		1,674.00
ZN1950-3NL-2-32-KC		3,229.00
ZN1950-3NL-23-TC		3,010.00
Z1950-4NH		1,674.00
Z1950-4NH-2		1,674.00
Z1950-4NH-3-33		1,992.00
Z1950-4NL-2		1,674.00

Supplied By:

877-903-7246
www.commercialplumbingsupply.com

*Regularly furnished unless otherwise specified.
 Items designated as Best Sellers are most specified and are generally in stock for shipment.
 ⌚ This symbol denotes a product that is engineered to reduce installation and rework time.

For additional product information, please visit www.zurn.com